



MOVING YOU FURTHER

14·16·20

25BRJ-9



Some of the photos may include optional equipment.

 **HYUNDAI**
MATERIAL HANDLING

Your satisfaction is our priority!

Compact forklift with proven AC technology

Hyundai introduces a new line of 9-series battery forklift trucks.

The newly designed sit-on reach trucks provide every operator comfortable driving, increased productivity and easy maintenance.

Performance & Efficiency

- AC traction & Pump motor
- AC controller : ZAPI
- Electromagnetic brake
- Vehicle performance optimized for working condition (H, N, E & Turtle mode)

Safety

- Curve control system
- Automatic center position at starting
- Anti roll back
- Steering angle sensing system

Convenience

- 5.6 inch LCD color monitor
- Auto tilt leveling system (OPT)
- Load weight indicator (OPT)
- Fork camera & monitor (OPT)
- Fingertip control (STD) & Joy stick control (OPT)

Maintenance

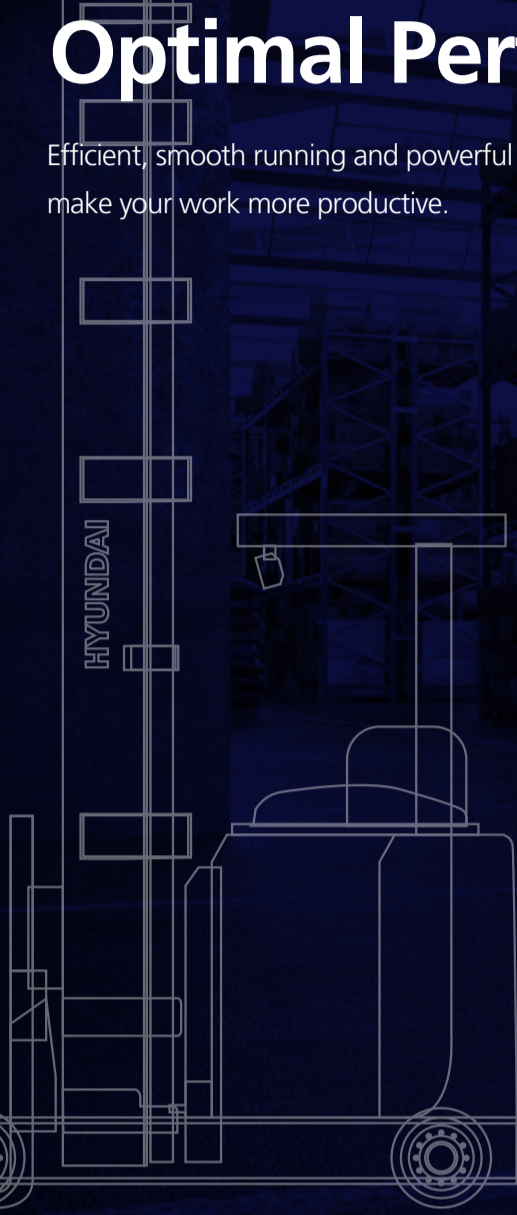
- Password starting system
- UL & CE certification DC-DC convertor
- Wide opening & Rotating hood
- Self-diagnosis system



Power & Performance

Superior Power & Optimal Performance

Efficient, smooth running and powerful performance make your work more productive.



HIGH PERFORMANCE

POWERFUL ENGINE

Some of the photos may include optional equipment.

Minimum Turning Radius

Compact design suitable for narrow aisle operation guarantees work efficiency and maximum space utilization.



Versatile Reach Stroke

Multi-roller reach assembly provides for a smooth, controlled and safe load handling system, extended reach allows unsurpassed versatility.



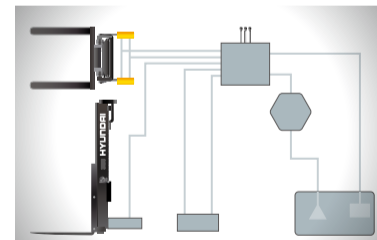
Drive motor & Pump motor

Efficient AC motor guarantees reliability and an optimized motor design provides for low noise levels. Temperature sensors ensure long motor life.



Electro magnetic brake

Increased brake torque and brake stability by electromagnetic load wheel brake.



State of the art Hydraulic System

The latest large-capacity hydraulic system reacts quickly during operation and the low noise control valve increases both efficiency and durability.

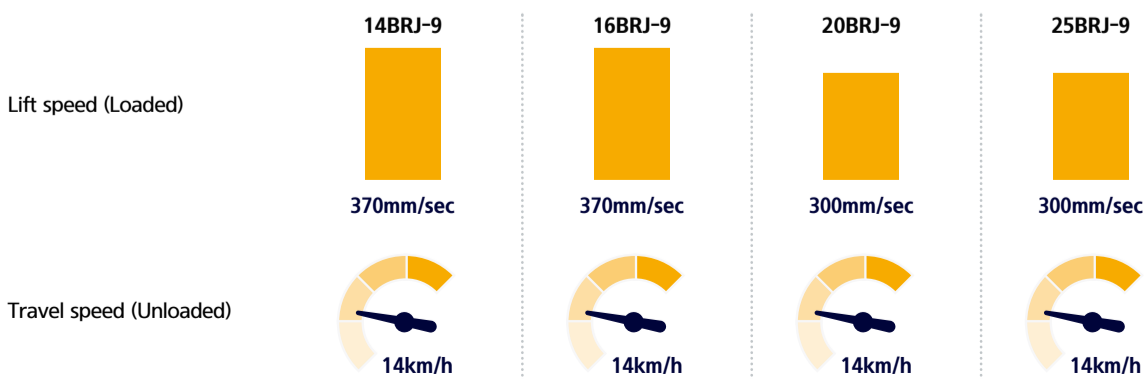


ZAPI AC Controller

The 8kHz (high frequency) ZAPI AC controller ensures optimal performance with less energy. Also, it protects the system from overheating and abnormal voltage.

Excellent Lift speed & Travel speed

The combination of the ZAPI AC controller, drive motor, and pump motor maximizes the work efficiency in logistics.



Function to increase work efficiency

- ① **Vehicle performance optimized for working condition** : This function optimizes the performance of vehicle for the purpose of work, such as speed of operation, maximum working time and operator's proficiency.
 - H (High) mode
 - N (Normal) mode
 - E (Economic) mode
- ② **Turtle mode** : When selecting the turtle mode while working in narrow and congested workplace, the travel speed is reduced at a preset speed.



Easy & Comfort

Optimised Ergonomics & Advanced Safety

The safely designed driver's space makes your operating more comfortable.



Some of the photos may include optional equipment.

Comfortable Operator Environment

A practically designed full suspension seat is fully adjustable for optimum operating position, reducing operating fatigue.

*Fabric seat (STD), PVC seat (optional)



Comfortable suspension seat

An attractive and adjustable seat, based on a human engineering design, provides great comfort. Also, the angle of the armrest can be adjusted to reduce the fatigue of the driver.

- Grammer Seat
- Adjustable suspension stiffness based on the driver's weight (45~170kg)
- ELR type seat belt standard
- Heater and Backrest extension (OPT)



FWD/REV Switch & Fingertip control

The forward/reverse switch provides the operator with precise and smooth directional control. And responsive fingertips with less energy offer productivity improvement and safety. So the driver can feel less fatigue.

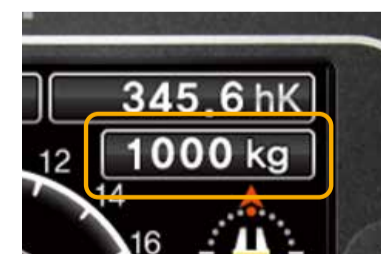


Break pedal

Smoother breaking is assured by the balanced design of the pedal and maintenance costs are lowered as the cover is easily replaceable.

Advanced LCD Monitor

The LCD color monitor with 3.5 inch graphic smart display allows the operator to easily and efficiently control the machine. The monitor provides information about speed & accelerator level, steer angle & travel direction, battery discharge indicator, hour meter & working mode. The operator can select various performance modes to meet all working conditions. Multilanguage (maximum 12) is available.



Load weight indicator (OPT)

When lifting a load, a change in hydraulic pressure of the lift line is converted to a measurement of weight displayed in real time, and a warning is given at the time of overload.

Auto tilt leveling (OPT)

Mounting the angle sensor on the back side of carriage enable operator to easily operate the vehicle by maintaining a level of the fork and ground.

Height indicator (OPT)

Mounting the height indicator on the side of mast will increase safety and convenience by displaying the height of fork on the LCD monitor in real time.

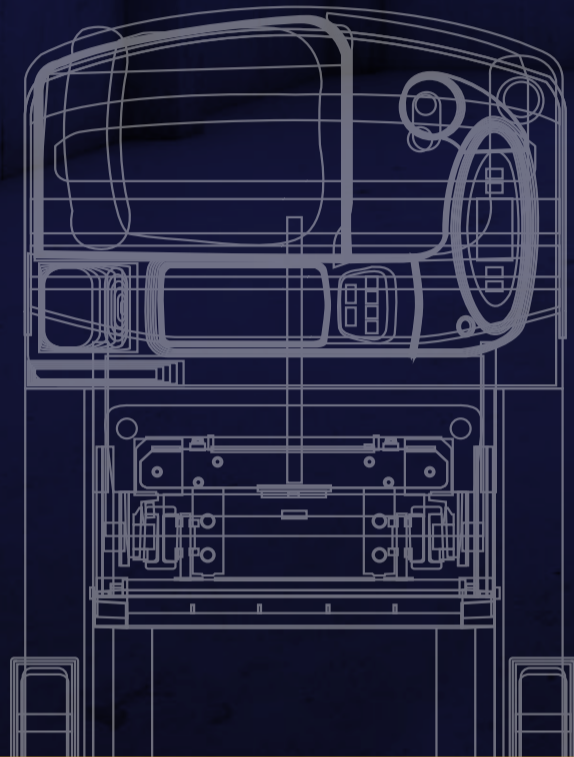


Secure & Safety

Excellent visibility

Reliable safety

Interior space and strengthened safety device are designed with safety as the priority, thus enable the operator to focus on work safely and conveniently.



Some of the photos may include optional equipment.

Excellent visibility for safe operation

Optimized lift cylinder arrangement provides operator with wider visibility.



Some of the photos may include optional equipment.



Non slip floor mat

A heavy, vibration dampening, non-slip floor mat reduces operator fatigue and allows for increased productivity.



Strong overhead guard

The safety overhead guard meets ISO 6055 and ANSI regulations and protects the operator during hazardous work.



Headrest cushion pad

A large and soft cushion pad is positioned for operator's safety and comfort.

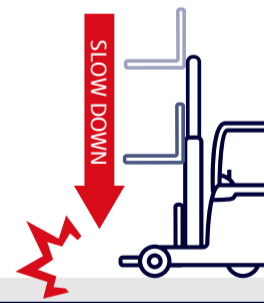
Safety features

The adoption of a high-sensitivity sensor and advanced safety system can prevent the safety accidents.



Curve control

Curve control limits travel speed based on turning radius for a smooth, precise turning operation for the driver.



Fork safety features

When the forks are being lowered, a down-control valve maintains the controlled speed. The down-safety valve prevents forks from dropping down in case of sudden damage of hydraulic line.



Anti roll back system

Anti Roll-back system offers protection against the machine rolling back on a ramp in combination with exceptional ramp start capabilities.



Automatic center position at starting

When the key ON, prox switch detects the position of drive wheel, and the wheel turns to the center position automatically.



Steering angle sensing system

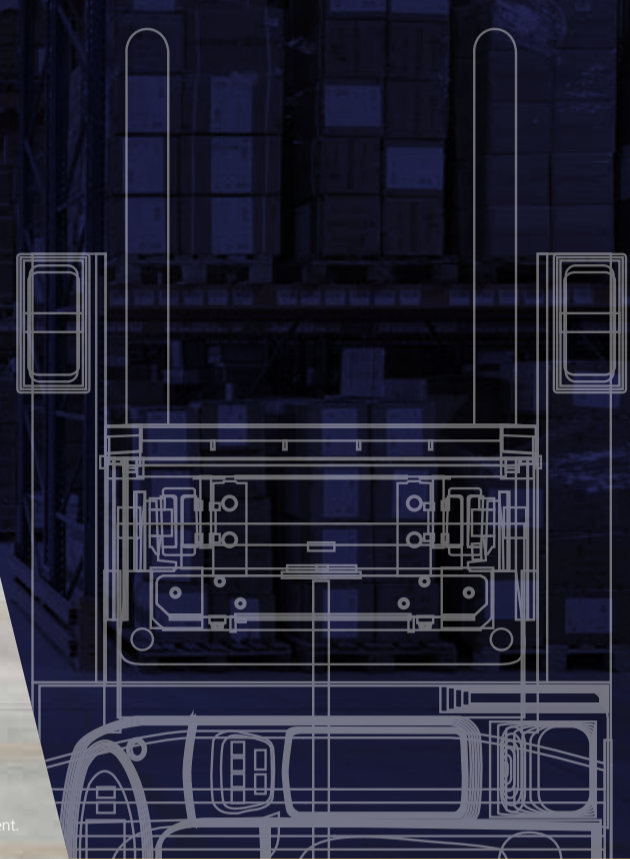
The symbol of the cluster shows the angle of the steering wheel. So the operator can easily predict the direction of the vehicle.



Maintenance & Convenience

Durability, Easy Maintenance

An ideal arrangement of components ensures easy access and convenience for maintenance.



Some of the photos may include optional equipment.

Durability, Easy Maintenance

An ideal arrangement of component parts ensures easy access and convenience for maintenance.



Some of the photos may include optional equipment.



Reliable MOSFET type controller

The self-diagnosis function of the controller allows operator to check the fault diagnosis and errors. Also, IP65 controller prevents the entry of water and dust completely.



Centralized fuse box

The centralized fuses ensure easy inspection and replacement.



Battery disconnect lever

The battery disconnect lever with large handle helps separate the battery connector from the vehicle.



Emergency switch

In case of an emergency, the emergency switch is installed to block the battery power supplied to the vehicle to prevent damage and safety accidents.



DC-DC Converter

DC-DC converter satisfied with UL & CE prevents from short circuit overload and reverse polarity.



Easy maintenance

The rotating hood with hinges can be opened up to 105 degrees. So the operator can check and repair the driving device located underneath the seat.



Easy battery replacement

By using the reach out function of the reach cylinder, the battery can be removed, checked, and exchanged easily.



Hydraulic Filter

A suction filter is installed inside the hydraulic tank, which prevents the damages of hydraulic pump and MCV valve.



Password starting system

The equipment can be managed safely and protected from theft by setting the password.

New 9 Series Mast Specification

14/16/20/25BRJ-9

14BRJ-9



Mast Type	Maximum Fork Height		Overall Height (Lowered)		Overall height (Lifted)				Free Lift Height					Tilt Angle		TRUCK WEIGHT (UNLOADED)		
	in	mm	in	mm	With Load Backrest		Without Load Backrest		With Load Backrest		Without Load Backrest		Without Load Backrest (3/4-SPOOL)	Fwd	Bwd	lb	kg	
					in	mm	in	mm	in	mm	in	mm	in	mm	deg			
TF430	170.9	4,340	80.0	2,033	211.4	5,370	190.8	4,846	38.5	979	56.0	1,422	40.0	1,017	2	5	6,786	3,078
TF470	186.6	4,740	85.9	2,183	227.2	5,770	206.5	5,246	44.4	1,129	61.9	1,572	45.9	1,167	2	5	6,878	3,120
*TF530	208.9	5,306	93.4	2,372	249.4	6,336	228.8	5,812	51.9	1,318	69.3	1,761	53.4	1,357	2	5	6,980	3,166
TF550	218.1	5,540	97.8	2,483	258.7	6,570	238.0	6,046	56.3	1,429	73.7	1,872	59.7	1,517	2	5	7,068	3,206
TF600	237.8	6,040	105.6	2,683	278.3	7,070	257.7	6,546	64.1	1,629	81.6	2,072	67.6	1,717	2	5	7,196	3,264
TF650	257.5	6,540	113.5	2,883	298.0	7,570	277.4	7,046	72.0	1,829	89.4	2,272	74.7	1,897	2	5	7,606	3,450
TF700	275.8	7,006	119.6	3,038	316.4	8,036	295.7	7,512	78.1	1,984	95.5	2,427	78.2	1,987	2	5	7,670	3,479
TF750	295.5	7,506	123.2	3,130	336.1	8,536	315.4	8,012	81.7	2,076	99.2	2,519	83.3	2,115	2	5	7,727	3,505
TF800	315.2	8,006	131.1	3,330	355.7	9,036	335.1	8,512	89.6	2,276	107.0	2,719	91.1	2,315	2	5	7,864	3,567
TF850	334.9	8,506	137.7	3,497	375.4	9,536	354.8	9,012	96.2	2,443	113.6	2,886	97.8	2,483	2	5	8,060	3,656
TF900	354.6	9,006	144.3	3,664	395.1	10,036	374.5	9,512	102.8	2,610	120.2	3,053	104.4	2,651	2	5	8,172	3,707
TF950	374.3	9,506	150.8	3,831	414.8	10,536	394.2	10,012	109.3	2,777	126.8	3,220	111.0	2,819	2	5	8,285	3,758
TF1000	393.9	10,006	158.7	4,031	434.5	11,036	413.9	10,512	117.2	2,977	134.6	3,420	118.9	3,019	2	5	8,474	3,844
TF1050	413.6	10,506	165.3	4,198	454.2	11,536	433.5	11,012	123.8	3,144	141.2	3,587	125.5	3,187	2	5	8,587	3,895

※ : Standard

16BRJ-9



Mast Type	Maximum Fork Height		Overall Height (Lowered)		Overall height (Lifted)				Free Lift Height					Tilt Angle		TRUCK WEIGHT (UNLOADED)		
	in	mm	in	mm	With Load Backrest		Without Load Backrest		With Load Backrest		Without Load Backrest		Without Load Backrest (3/4-SPOOL)	Fwd	Bwd	lb	kg	
					in	mm	in	mm	in	mm	in	mm	in	mm	deg			
TF430	170.9	4,340	80.0	2,033	211.4	5,370	190.8	4,846	38.5	979	56.0	1,422	40.0	1,017	2	5	6,991	3,171
TF470	186.6	4,740	85.9	2,183	227.2	5,770	206.5	5,246	44.4	1,129	61.9	1,572	45.9	1,167	2	5	7,083	3,213
*TF530	208.9	5,306	93.4	2,372	249.4	6,336	228.8	5,812	51.9	1,318	69.3	1,761	53.4	1,357	2	5	7,185	3,259
TF550	218.1	5,540	97.8	2,483	258.7	6,570	238.0	6,046	56.3	1,429	73.7	1,872	59.7	1,517	2	5	7,273	3,299
TF600	237.8	6,040	105.6	2,683	278.3	7,070	257.7	6,546	64.1	1,629	81.6	2,072	67.6	1,717	2	5	7,401	3,357
TF650	257.5	6,540	113.5	2,883	298.0	7,570	277.4	7,046	72.0	1,829	89.4	2,272	74.7	1,897	2	5	7,811	3,543
TF700	275.8	7,006	119.6	3,038	316.4	8,036	295.7	7,512	78.1	1,984	95.5	2,427	78.2	1,987	2	5	7,875	3,572
TF750	295.5	7,506	123.2	3,130	336.1	8,536	315.4	8,012	81.7	2,076	99.2	2,519	83.3	2,115	2	5	7,932	3,598
TF800	315.2	8,006	131.1	3,330	355.7	9,036	335.1	8,512	89.6	2,276	107.0	2,719	91.1	2,315	2	5	8,069	3,660
TF850	334.9	8,506	137.7	3,497	375.4	9,536	354.8	9,012	96.2	2,443	113.6	2,886	97.8	2,483	2	5	8,265	3,749
TF900	354.6	9,006	144.3	3,664	395.1	10,036	374.5	9,512	102.8	2,610	120.2	3,053	104.4	2,651	2	5	8,377	3,800
TF950	374.3	9,506	150.8	3,831	414.8	10,536	394.2	10,012	109.3	2,777	126.8	3,220	111.0	2,819	2	5	8,490	3,851
TF1000	393.9	10,006	158.7	4,031	434.5	11,036	413.9	10,512	117.2	2,977	134.6	3,420	118.9	3,019	2	5	8,680	3,937
TF1050	413.6	10,506	165.3	4,198	454.2	11,536	433.5	11,012	123.8	3,144	141.2	3,587	125.5	3,187	2	5	8,792	3,988

※ : Standard

New 9 Series Mast Specifications

20BRJ-9



Mast Type	Maximum Fork Height		Overall Height (Lowered)		Overall height (Lifted)				Free Lift Height					Tilt Angle		TRUCK WEIGHT (UNLOADED)		
	in	mm	in	mm	With Load Backrest		Without Load Backrest		With Load Backrest		Without Load Backrest		Without Load Backrest (3/4-SPOOL)	Fwd	Bwd	lb	kg	
					in	mm	in	mm	in	mm	in	mm	in	mm	deg			
TF430	169.5	4,305	80.2	2,036	212.8	5,406	195.8	4,974	36.8	935	53.8	1,367	44.4	1,129	2	5	8,190	3,715
TF470	185.2	4,705	86.1	2,186	228.6	5,806	211.6	5,374	42.7	1,085	59.7	1,517	50.4	1,279	2	5	8,280	3,756
*TF530	208.9	5,305	93.9	2,386	252.2	6,406	235.2	5,974	50.6	1,285	67.6	1,717	58.2	1,479	2	5	8,375	3,799
TF570	224.6	5,705	99.2	2,519	268.0	6,806	250.9	6,374	55.8	1,418	72.8	1,850	63.4	1,611	2	5	8,472	3,843
TF630	248.2	6,305	108.0	2,744	291.6	7,406	274.6	6,974	64.7	1,643	81.7	2,075	72.3	1,837	2	5	8,607	3,904
TF670	264.0	6,705	113.3	2,877	307.3	7,806	290.3	7,374	69.9	1,776	86.9	2,208	77.5	1,969	2	5	9,039	4,100
TF700	275.8	7,005	117.2	2,977	319.1	8,106	302.1	7,674	73.9	1,876	90.9	2,308	81.5	2,069	2	5	9,112	4,133
TF750	295.5	7,505	123.8	3,144	338.8	8,606	321.8	8,174	80.4	2,043	97.4	2,475	88.1	2,237	2	5	9,233	4,188
TF800	315.2	8,005	131.3	3,336	358.5	9,106	341.5	8,674	88.0	2,235	105.0	2,667	95.6	2,429	2	5	9,372	4,251
TF850	334.9	8,507	137.9	3,503	378.3	9,608	361.3	9,176	94.6	2,402	111.6	2,834	102.2	2,595	2	5	9,594	4,352
TF900	354.6	9,007	144.5	3,670	398.0	10,108	380.9	9,676	101.1	2,569	118.1	3,001	108.8	2,763	2	5	9,716	4,407
TF950	374.4	9,509	151.1	3,837	417.7	10,610	400.7	10,178	107.7	2,736	124.7	3,168	115.3	2,929	2	5	9,839	4,463
TF1000	394.0	10,007	158.6	4,029	437.3	11,108	420.3	10,676	115.3	2,928	132.3	3,360	123.0	3,123	2	5	9,978	4,526
TF1050	413.7	10,507	165.2	4,196	457.0	11,608	440.0	11,176	121.9	3,095	138.9	3,527	129.6	3,291	2	5	10,203	4,628
TF1100	433.3	11,007	171.8	4,363	476.7	12,108	459.7	11,676	128.4	3,262	145.4	3,694	136.1	3,457	2	5	10,318	4,680
TF1150	453.0	11,507	179.3	4,555	496.4	12,608	479.4	12,176	136.0	3,454	153.0	3,886	143.7	3,649	2	5	10,456	4,743
TF1200	472.7	12,007	185.9	4,722	516.1	13,108	499.1	12,676	142.6	3,621	159.6	4,053	150.3	3,817	2	5	10,578	4,798

※ : Standard

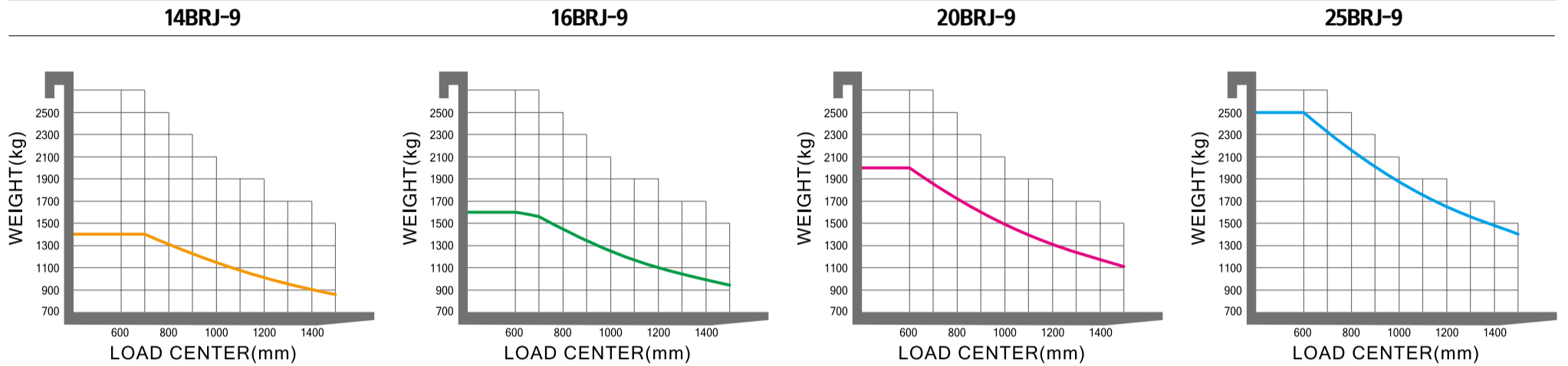
25BRJ-9



Mast Type	Maximum Fork Height		Overall Height (Lowered)		Overall height (Lifted)				Free Lift Height					Tilt Angle		TRUCK WEIGHT (UNLOADED)		
	in	mm	in	mm	With Load Backrest		Without Load Backrest		With Load Backrest		Without Load Backrest		Without Load Backrest (3/4-SPOOL)	Fwd	Bwd	lb	kg	
					in	mm	in	mm	in	mm	in	mm	in	mm	deg			
TF430	169.5	4,305	80.2	2,036	212.8	5,406	195.8	4,974	36.8	935	53.8	1,367	44.4	1,129	2	5	8,686	3,940
TF470	185.2	4,705	86.1	2,186	228.6	5,806	211.6	5,374	42.7	1,085	59.7	1,517	50.4	1,279	2	5	8,779	3,982
*TF530	208.9	5,305	93.9	2,386	252.2	6,406	235.2	5,974	50.6	1,285	67.6	1,717	58.2	1,479	2	5	8,874	4,025
TF570	224.6	5,705	99.2	2,519	268.0	6,806	250.9	6,374	55.8	1,418	72.8	1,850	63.4	1,611	2	5	8,971	4,069
TF630	248.2	6,305	108.0	2,744	291.6	7,406	274.6	6,974	64.7	1,643	81.7	2,075	72.3	1,837	2	5	9,103	4,129
TF670	264.0	6,705	113.3	2,877	307.3	7,806	290.3	7,374	69.9	1,776	86.9	2,208	77.5	1,969	2	5	9,535	4,325
TF700	275.8	7,005	117.2	2,977	319.1	8,106	302.1	7,674	73.9	1,876	90.9	2,308	81.5	2,069	2	5	9,608	4,358
TF750	295.5	7,505	123.8	3,144	338.8	8,606	321.8	8,174	80.4	2,043	97.4	2,475	88.1	2,237	2	5	9,729	4,413
TF800	315.2	8,005	131.3	3,336	358.5	9,106	341.5	8,674	88.0	2,235	105.0	2,667	95.6	2,429	2	5	9,870	4,477
TF850	334.9	8,507	137.9	3,503	378.3	9,608	361.3	9,176	94.6	2,402	111.6	2,834	102.2	2,595	2	5	10,090	4,577
TF900	354.6	9,007	144.5	3,670	398.0	10,108												

New 9 Series

Load Capacity



Optional Items

- UL(ES)
- Beacon Lamp(Amber)
- Fork Camera, Carriage Camera
- Cold Storage
- Work Lamp (LED)
- Rear Lamp (LED, Bulb)
- Auto Tilt Leveling

- Load Indicator
- Battery
- Charger 3Phrases 220 / 380V, 410V, 440V
- Joystick Lever
- Fork Height Indicator & Preselector
- Fork(mm)
14/16BRJ-9: 900/950/1,000/1,050/1,150/1,200(STD)/1,350/1,500/1,600

- 20/25BRJ-9: 1,000/1,050/1,200(STD)/1,350/1,500/1,650/1,800
- Sideshift : Max. 140 mm
- Tire : Urethane (STD), Vulkollan (Optional)
- Seat : Fabric (STD), PVC (optional)

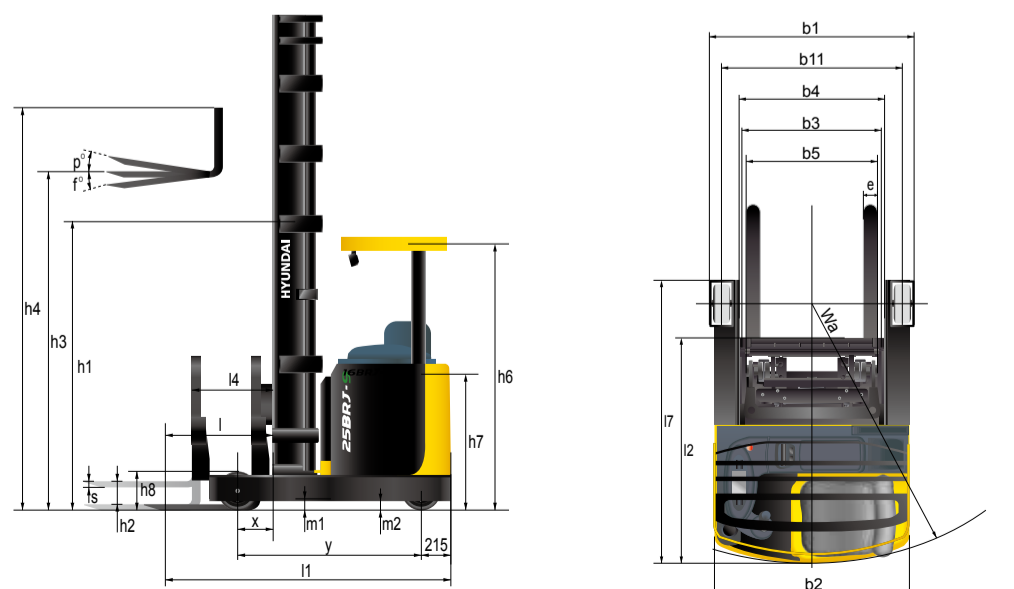
New 9 Series

Specification

Identification		Hyundai				
1.1	Manufacturer	Hyundai				
1.2	Manufacturer's model designation	14BRJ-9	16BRJ-9	20BRJ-9	25BRJ-9	
1.3	Drive(electric ,diesel,petrol,gas,manual)	electric	electric	electric	electric	
1.4	Type of operation(hand,pedestrian,standing,seated,order-picker)	seated	seated	seated	seated	
1.5	Load capacity / rated load	Q (kg)	1.4	1.6	2	2.5
1.6	Load center distance	c (mm)	600	600	600	600
1.8	Load distance, center of drive axle(loadwheel) to fork	x (mm)	314	364	340	490
1.9	Wheelbase	y (mm)	1,410	1,460	1,520	1,670
Weights						
2.1	Service weight (Incl. battery)	kg	3,166	3,259	3,799	4,025
2.3	Axle loading, reach in, unloaded front(drive)/rear(load)	kg	1,896 / 1,270	2,015 / 1,244	2,247 / 1,552	2,537 / 1,488
2.4	Axle loading, reach out, loaded front(drive)/rear(load)	kg	602 / 3,964	610 / 4,249	631 / 5,168	688 / 5,837
2.5	Axle loading, reach in, loaded front(drive)/rear(load)	kg	1,612 / 2,954	1,756 / 3,103	1,905 / 3,895	2,372 / 4,152
Wheels, Chassis						
3.1	Tires(solid rubber, superelastic, pneumatic, polyurethane)	PE	PE	PE	PE	
3.2	Tires size, front(Drive)(ϕ x width)	345x140	345x140	345x140	345x140	
3.3	Tires size, rear(Load)(ϕ x width)	330x100	330x100	355x106	355x135	
3.5	Wheels, numbers(x=driven wheels), front(drive)/rear(load)	1x/2	1x/2	1x/2	1x/2	
3.6	Track width, front(drive)	b10 (mm)	0	0	0	0
3.7	Track width, rear(load)	b11 (mm)	1,149	1,149	1,155	1,184
Basic Dimensions						
4.1	Mast/fork carriage tilt forward/backward	degrees	2 / 5	2 / 5	2 / 5	2 / 5
4.2	Lowered mast height	h1 (mm)	2,372	2,372	2,386	2,386
4.3	Free lift (without backrest)	h2 (mm)	1,761	1,761	1,717	1,717
4.4	Lift height	h3 (mm)	5,306	5,306	5,305	5,305
4.5	Extended mast height (without backrest)	h4 (mm)	5,812	5,812	5,974	5,974
4.7	Overhead load guard (cab) height	h6 (mm)	2,116	2,116	2,135	2,135
4.8	Seat height/ standing height	h7 (mm)	1,039	1,039	1,036	1,036
4.10	Height of wheel arms	h8 (mm)	326	326	374	374
4.19	Overall length (Reach In, Fork End)	l1 (mm)	2,511	2,511	2,595	2,595
4.20	Length to face of forks (Reach In)	l2 (mm)	1,311	1,311	1,395	1,395
4.21	Overall width	b1/b2 (mm)	1,279 / 1,270	1,279 / 1,270	1,291 / 1,270	1,349 / 1,270
4.22	Fork dimensions(hook type)	s/e/l(mm)	40x100x1,200	40x100x1,200	45x100x1,200	45x122x1,200
4.23	Fork carriage ISO 2328, class/type A,B		2A	2A	2B	2B
4.24	Fork-carriage width	b3 (mm)	800	800	800	800
4.25	Overall fork width	b5 (mm)	732	732	732	732
4.26	Distance between support arms	b4 (mm)	951	951	951	951
4.28	Reach Stroke	l4 (mm)	513	563	555	705
4.31	Ground clearance, loaded, under mast	m1(mm)	114	114	109	109
4.32	Ground clearance, centre of wheelbase	m2(mm)	83	86	71	77
4.34.1	Aisle width for pallets 1000x1200 crossways	Ast(mm)	2,749	2,759	2,834	2,872
4.34.2	Aisle width for pallets 800x1200 lengthways	Ast(mm)	2,810	2,812	2,890	2,900
4.35	Turning radius	Wa(mm)	1,638	1,685	1,742	1,885
4.37	Length across wheel arms	l7(mm)	1,813	1,863	1,935	2,085

Performance Data						
5.1	Travel speed, unloaded	km/h	14	14	14	14
5.2	Lift speed, loaded/ unloaded	mm/s	370 / 580	370 / 580	300 / 470	300 / 470
5.3	Lowering speed, loaded/unloaded	mm/s	500 / 450	500 / 450	500 / 450	500 / 450
5.8	Max. gradient performance, loaded/ unloaded S2 5min	%	13 / 18	12 / 18	12 / 19	11 / 18
5.10	Service brake		electric	electric	electric	electric
E-Motor						
6.1	Drive motor rating S2 60min	kW	75	75	75	75
6.2	Lift motor rating at S2 5min	kW	14	14	14	14
6.3	Battery acc. to DIN 43531/ 35/ 36 A, B, C,no		DIN43531	DIN43531	DIN43531	DIN43531
6.4	Battery voltage, nominal capacity K5	V/Ah	48 / 300	48 / 300	48 / 500	48 / 500
6.5	Battery weight(min)	kg	750	750	940	940
6.7	Battery compartment dimensions L/W/H	mm	1,235 / 287 / 802	1,235 / 287 / 802	1,235 / 358 / 802	1,235 / 358 / 802
Other Details						
8.1	Type of drive control		AC Mosfet	AC Mosfet	AC Mosfet	AC Mosfet
8.2	Operating pressure for attachments	bar	160	170	170	190
8.3	Oil volume for attachments	l/min	45	45	45	45

Dimension



* All specifications in this catalog are subject to change according to the optional items.

