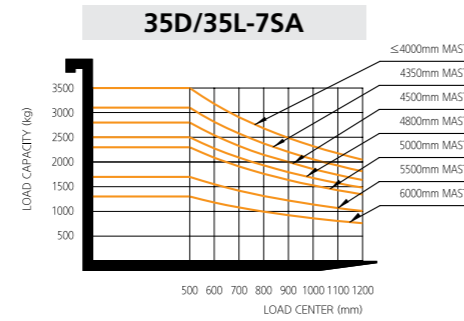
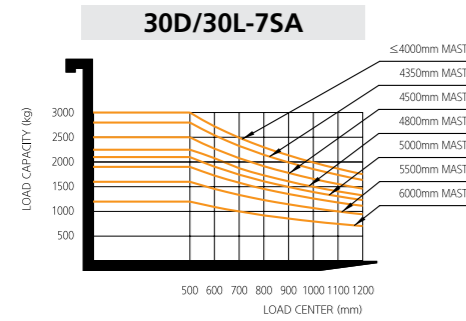
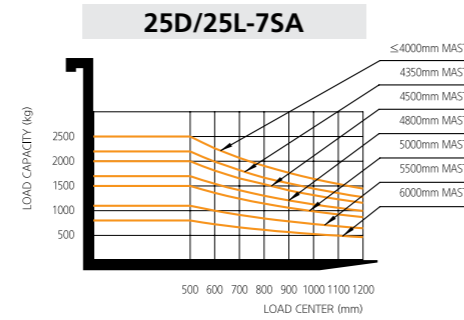
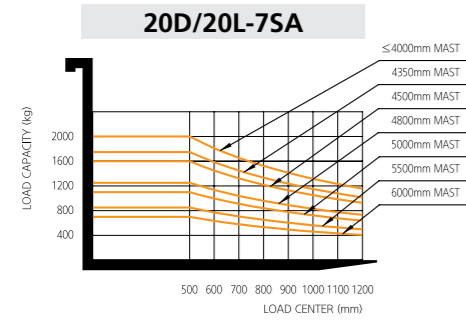


Load Capacity



Diesel & Dual Fuel Engines

	MITSUBISHI (Diesel)	NISSAN (LPG&Gasoline)
Model	S4S (Eu III / EPA III)	K25
Rated output	35.3kW / 2250rpm	37.4kW / 2350rpm
Rated torque	177N.m / 1700rpm	171.2N.m / 1600rpm
No. of cylinder	4	4
Bore X Stroke	94 X 120mm	89 X 100mm
Displacement	3.331L	2,488L

Optional Items

- Fork(mm)
1070(STD), 1220, 1370, 1520, 1670, 1820, 2120
- Sideshift, Fork Positioner, Sideshift & Fork Positioner
- Integrated Sideshift, Integrated Fork Positioner, Integrated Sideshift & Fork Positioner
- Tire : Solid / Non-marking / Front double tire
- M.C.V : 3-Spool, 4-Spool
- Seat : Grammar MSG 65 (Suspension, Armrest, OPSS S/W, Buckle SW)
- Load Weight Indicator
- Cabin
Full Enclosed Cabin (Heater + A/C)
Partial Cabin (Top + Front + Rear)
Closed Roof (Top only)
- Rear Grip with Horn
- Pre Cleaner
- Fire Extinguisher
- Exhaust : Horizontal
- OPSS (Travel, Travel + Mast)
- Tilting : 6°/6°, 3°/6°
- Piping : 3rd & 4th Piping for Attachments

HYUNDAI
MATERIAL HANDLING

Head Office (Sales office)

First tower, 55, Bundang-ro, Bundang-gu, Seongnam-si, Gyeonggi-do, Korea

PLEASE CONTACT

www.hyundai-mh.com

2020. 07 Rev. 4

20/25/30/35D-7SA 20/25/30/35L-7SA

Diesel & Dual Fuel(LPG&Gasoline) Counterbalance Trucks

MOVING YOU FURTHER

HYUNDAI MATERIAL HANDLING



■ Some of the photos may include optional equipment.

HYUNDAI
MATERIAL HANDLING



Bigger checking & Easy maintenance

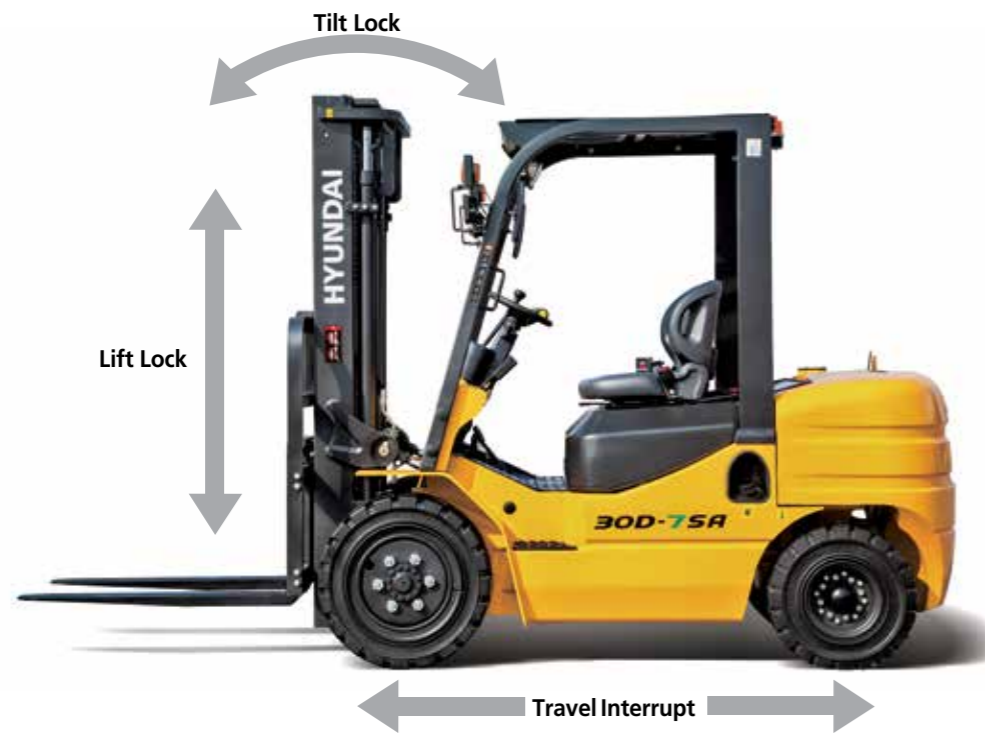
7SA trucks is designed larger space and compact wire distribution. It's convenient for checking and maintain.

*Some of the photos may include optional equipment.



Spacious operating room

*Some of the photos may include optional equipment.



Safety

OPSS (Operator Presence Sensing System) - Option

This forklift model is equipped with an operator existence sensing system per ANSVASME B56.1

- Travel Cut Off and Parking Warning
- Mast and Tilt Lock

Electrical Interlock

When parking brake engaged Travel electric power intercepted. Even if forward or reverse lever operated, vehicle can't be traveled

Hydraulic system

- Control of mast tilting, lifting and lowering is not possible through operation of the appropriate control when the operator is not in the normal position.
- The tilt lock valve prevents a moving of tilt cylinder when engine off.
- Provides the option of a four-section control valve.



Enough floor space for easy foot movements

Optimized foot spaces gives the less fatigue to operate and enlarged low height of foot step gives more spacious for easy access to get on and take off.

Low entrance height

Skid proof access pedal guarantee drivers access the forklift convenience and safety. An entrance is more spacious for both sides riding.



Adjustable steering wheel accommodates various operator's conditions

Tilting angle : 25° / With horn S/W



Option Grammer Seat(MSG65)

Easily adjustable suspension seat is based on human engineering design. It reduces operator fatigue and provides greater comfort.

- 1) Armrest + OPSS S/W
- 2) Armrest + OPSS S/W + Buckle S/W

Advanced Monitor

The wide color monitor allows the operator to control the machine with ease.

The monitor features speed, travel direction, battery discharge indicator and hour meter.



- ❶ Hour-meter
- ❷ Fuel gauge
- ❸ Water temperature gauge
- ❹ Left turn indicator light
- ❺ Right turn indicator light
- ❻ Neutral light
- ❼ Sediment indicator light
- ❽ Pre-heat indicator light
- ❾ Seat belt light
- ❿ T/M oil temp gauge
- ⓫ E/G oil pressure alert light
- ⓬ Battery charging light
- ⓭ Air filter indicator light



Front & Rear LED Lamp(STD)



Fully hydrostatic power steering

The hydraulic steering system always guarantees smooth and flexible steering, preventing over-run and kick-back.



Wide view mast

7SA series forklift mast adopts wide view mast, out width of the mast is 720mm, significantly improves the driver's front fields of view, reduces dead zones and increases the safety and comfort of the operation.

Mast Specification (20D/20L-7SA)

Mast Type	Maximum Fork Height (mm)	Overall Height (mm)	Free lift height (mm)		Tilt Angle (deg)		Load capacity w/o side shift 500mm LC (kg)		Load capacity w/ side shift 500mm LC (kg)		Truck Weight (Unloaded) (kg)				
			With Load Backrest	Without Load Backrest	Fwd	Bwd	Single Tire	Double Tire	Single Tire	Double Tire	Single Tire	Double Tire	Single Tire	Double Tire	
															20D/20L
2-STAGE LIMITED FREE LIFT	V300	3000	2010	160	160	6	12	2000	2000	1950	1950	3400	3465	3320	3385
	V330	3300	2160	160	160	6	12	2000	2000	1950	1950	3415	3480	3335	3400
	V400	4000	2560	160	160	6	6	2000	2000	1950	1950	3520	3585	3440	3505
	V450	4500	2810	160	160	6	6	1600	1900	1550	1850	3550	3615	3470	3535
	V500	5000	3060	160	160	6	6	1200	1700	1150	1650	3590	3655	3510	3575
2-STAGE FULL FREE LIFT	VF300	3000	2010	1020	1420	6	12	2000	2000	1950	1950	3495	3560	3415	3480
	VF330	3300	2160	1170	1570	6	12	2000	2000	1950	1950	3515	3580	3435	3500
	VF350	3500	2260	1270	1670	6	6	2000	2000	1950	1950	3530	3595	3450	3515
3-STAGE	TF435	4350	2010	1020	1390	6	6	1750	1900	1700	1850	3610	3675	3530	3595
	TF450	4500	2060	1070	1440	6	6	1600	1800	1550	1750	3630	3695	3550	3615
	TF480	4800	2160	1170	1540	6	6	1250	1700	1200	1650	3655	3720	3575	3640
	TF500	5000	2260	1270	1640	6	6	1100	1600	1050	1550	3685	3650	3605	3570
	TF550	5500	2385	1395	1765	3	6	850	1350	800	1300	3720	3685	3640	3605
	TF600	6000	2610	1620	1990	3	6	700	1100	650	1050	3755	3720	3675	3640

Mast Specification (25D/25L-7SA)

Mast Type	Maximum Fork Height (mm)	Overall Height (mm)	Free lift height (mm)		Tilt Angle (deg)		Load capacity w/o side shift 500mm LC (kg)		Load capacity w/ side shift 500mm LC (kg)		Truck Weight (Unloaded) (kg)				
			With Load Backrest	Without Load Backrest	Fwd	Bwd	Single Tire	Double Tire	Single Tire	Double Tire	Single Tire	Double Tire	Single Tire	Double Tire	
															25D/25L
2-STAGE LIMITED FREE LIFT	V300	3000	2010	160	160	6	12	2500	-	2450	-	3700	3765	3620	3685
	V330	3300	2160	160	160	6	12	2500	-	2450	-	3715	3780	3635	3700
	V400	4000	2560	160	160	6	6	2500	-	2450	-	3820	3885	3740	3805
	V450	4500	2810	160	160	6	6	2100	2400	2050	2350	3850	3915	3770	3835
	V500	5000	3060	160	160	6	6	1600	1900	1550	1850	3890	3955	3810	3875
2-STAGE FULL FREE LIFT	VF300	3000	2010	1020	1420	6	12	2500	-	2450	-	3795	3860	3715	3780
	VF330	3300	2160	1170	1570	6	12	2500	-	2450	-	3815	3880	3735	3800
	VF350	3500	2260	1270	1670	6	6	2500	-	2450	-	3830	3895	3750	3815
3-STAGE	TF435	4350	2010	1020	1390	6	6	2200	2400	2150	2350	3910	3975	3830	3895
	TF450	4500	2060	1070	1440	6	6	2000	2300	1950	2250	3930	3995	3850	3915
	TF480	4800	2160	1170	1540	6	6	1700	2000	1650	1950	3955	4020	3875	3940
	TF500	5000	2260	1270	1640	6	6	1500	1800	1450	1750	3985	3950	3905	3870
	TF550	5500	2385	1395	1765	3	6	1100	1500	1050	1450	4020	3985	3940	3905
	TF600	6000	2610	1620	1990	3	6	800	1300	750	1250	4055	4020	3975	3940

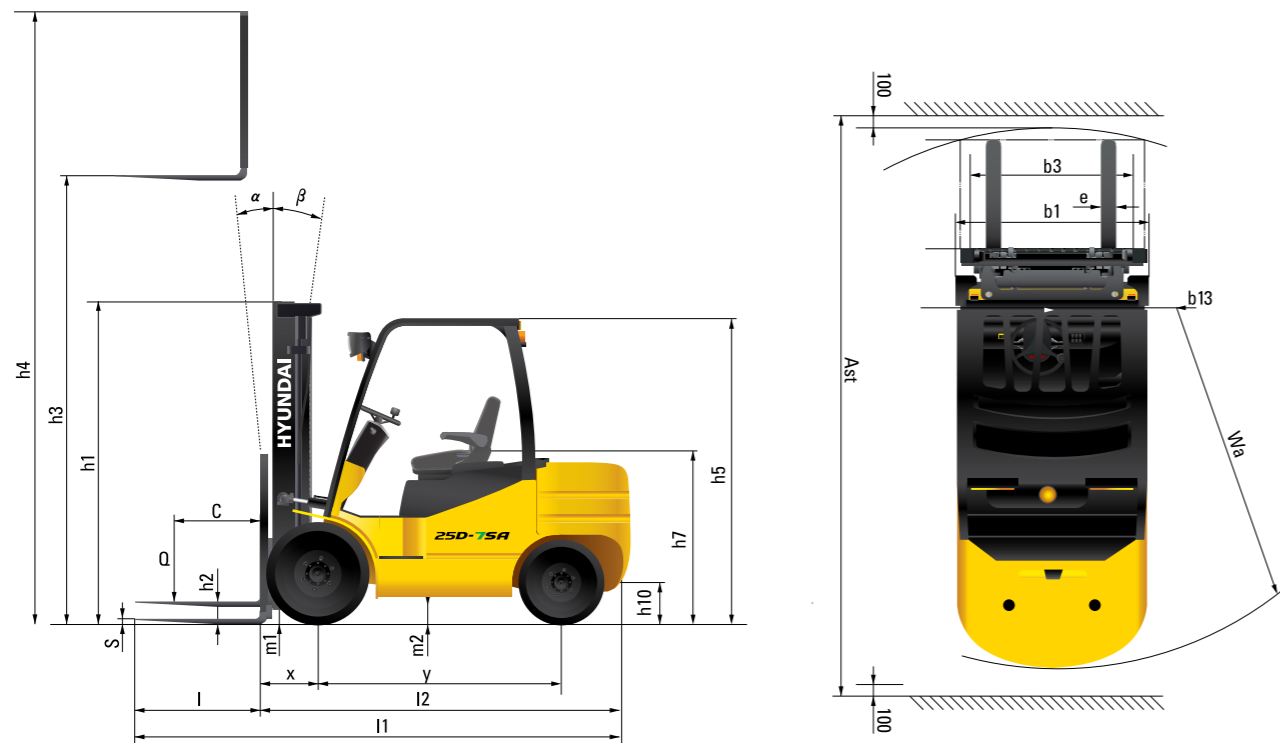
Mast Specification (30D/30L-7SA)

Mast Type	Maximum Fork Height (mm)	Overall Height (mm)	Free lift height (mm)		Tilt Angle (deg)		Load capacity w/o side shift 500mm LC (kg)		Load capacity w/ side shift 500mm LC (kg)		Truck Weight (Unloaded) (kg)				
			With Load Backrest	Without Load Backrest	Fwd	Bwd	Single Tire	Double Tire	Single Tire	Double Tire	Single Tire	Double Tire	Single Tire	Double Tire	
															30D/30L
2-STAGE LIMITED FREE LIFT	V300	3000	2075	165	165	6	12	3000	-	2950	-	4380	4455	4300	4375
	V330	3300	2225	165	165	6	12	3000	-	2950	-	4405	4480	4325	4400
	V400	4000	2625	165	165	6	6	3000	-	2950	-	4510	4585	4430	4505
	V450	4500	2875	165	165	6	6	2600	2800	2550	2750	4555	4630	4475	4550
	V500	5000	3125	165	165	6	6	2100	2400	2050	2350	4600	4675	4520	4595
2-STAGE FULL FREE LIFT	VF300	3000	2075	975	1425	6	12	3000	-	2950	-	4440	4515	4360	4435
	VF330	3300	2225	1125	1575	6	12	3000	-	2950	-	4460	4535	4380	4455
	VF350	3500	2325	1225	1675	6	6	3000	-	2950	-	4475	4550	4395	4470
3-STAGE	TF435	4350	2075	975	1475	6	6	2800	2900	2750	2850	4635	4710	4555	4630
	TF450	4500	2125	1025	1525	6	6	2500	2700	2450	2650	4645	4720	4565	4640
	TF480	4800	2225	1125	1625	6	6	2250	2450	2200	2400	4665	4740	4585	4660
	TF500	5000	2325	1225	1725	6	6	2100	2300	2050	2250	4690	4765	4610	4685
	TF550	5500	2490	1390	1890	3	6	1600	2050	1550	2000	4735	4810	4655	4730
	TF600	6000	2675	1575	2075	3	6	1200	1900	1150	1850	4780	4855	4700	4775

Mast Specification (35D/35L-7SA)

Mast Type	Maximum Fork Height (mm)	Overall Height (mm)	Free lift height (mm)		Tilt Angle (deg)		Load capacity w/o side shift 500mm LC (kg)		Load capacity w/ side shift 500mm LC (kg)		Truck Weight (Unloaded) (kg)				
			With Load Backrest	Without Load Backrest	Fwd	Bwd	Single Tire	Double Tire	Single Tire	Double Tire	Single Tire	Double Tire	Single Tire	Double Tire	
															35D/35L
2-STAGE LIMITED FREE LIFT	V300	3000	2150	170	170	6	12	3500	-	3450	-	4730	4805	4650	4725
	V330	3300	2300	170	170	6	12	3500	-	3450	-	4755	4830	4675	4750
	V400	4000	2700	170	170	6	6	3300	3500	3250	3450	4860	4935	4780	4855
	V450	4500	2950	170	170	6	6	2900	3100	2850	3050	4905	4980	4825	4900
2-STAGE FULL FREE LIFT	V500	5000	3200	170	170	6	6	2400	2750	2350	2700	4950	5025	4870	4945
	VF300	3000	2150	1050	1470	6	12	3500	-	3450	-	4790	4865	4710	4785
	VF330	3300	2300	1200	1620	6	12	3500	-	3450	-	4810	4885	4730	4805
	VF350	3500	2400	1300	1720	6	6	3500	-	3450	-	4825	4900	4745	4820
3-STAGE	TF435	4350	2150	1050	1510	6	6	3100	3350	3050	3300	4985	5060	4905	4980
	TF450	4500	2200	1100	1560	6	6	2800	3000	2750	2950	4995	5070	4915	4990
	TF480	4800	2300	1200	1660	6	6	2500	2750	2450	2700	5015	5090	4935	5010
	TF500	5000	2400	1300	1760	6	6	2300	2600	2250	2550	5040	5115	4960	5035
	TF550	5500	2565	1465	1925	3	6	1700	2200	1650	2150	5085	5160	5005	5080
	TF600	6000	2750	1650	2110	3	6	1300	2100	1250	2050	5130	5205	5050	5125

Dimension



Specification

Identification											
1.1	Manufacturer	Hyundai	Hyundai	Hyundai	Hyundai	Hyundai	Hyundai	Hyundai	Hyundai		
1.2	Manufacturer's model designation	20D-7SA	25D-7SA	30D-7SA	35D-7SA	20L-7SA	25L-7SA	30L-7SA	35L-7SA		
1.3	Drive: electric (battery or mains), diesel, petrol, fuel gas, manual	Diesel	Diesel	Diesel	Diesel	LPG&Gasoline	LPG&Gasoline	LPG&Gasoline	LPG&Gasoline		
1.4	Type of operation: hand, pedestrian, standing, seated, order-picker	seated	seated	seated	seated	seated	seated	seated	seated		
1.5	Load capacity / Rated load	kg	2,000	2,500	3,000	3,500	2,000	2,500	3,000	3,500	
1.6	Load center distance	c mm	500	500	500	500	500	500	500		
1.8	Load distance, center of drive axle to fork	x mm	475	475	490	510	475	475	490	510	
1.9	Wheelbase	y mm	1,600	1,600	1,700	1,700	1,600	1,600	1,700	1,700	
Weights											
2.1	Service weight	kg	3,400	3,700	4380	4730	3320	3620	4300	4650	
2.2	Axle loading, loaded front / rear	kg	4,600/800	5,220/980	6,520/860	7,270/960	4,570/750	5,260/860	6,480/820	7,220/930	
2.3	Axle loading, unloaded front / rear	kg	1,450/1,950	1,600/2,100	1,830/2,550	1,650/3,080	1,430/1,890	1,530/2,060	1,940/2,360	2,100/2,550	
Wheels, Chassis											
3.1	Tires ; Pneumatic(P), Solid(S), Non-marking(N)		P	P	P	P	P	P	P		
3.2	Tires size, front	Single	7.00-12-12PR	7.00-12-12PR	28x9-15-14 PR	28x9-15-14 PR	7.00-12-12PR	7.00-12-12PR	28x9-15-14 PR	28x9-15-14 PR	
		Double	-	-	-	-	-	-	-	-	
3.3	Tires size, rear	Single	6.00-9-10PR	6.00-9-10PR	6.50-10-10 PR	6.50-10-10 PR	6.00-9-10PR	6.00-9-10PR	6.50-10-10 PR	6.50-10-10 PR	
		Double	-	-	-	-	-	-	-	-	
3.4	Number of wheels front / rear (x=driven wheels)		2x / 2	2x / 2	2x / 2	2x / 2	2x / 2	2x / 2	2x / 2		
3.5	Tires width, front	Single	mm	970	970	1,000	1,000	970	970	1,000	1,000
		Double	mm	-	-	-	-	-	-	-	-
	Tires width, rear	mm	980	980	980	980	980	980	980	980	
Basic Dimensions											
4.1	Mast / fork carriage tilt forward / backward (α / β)	degrees	6 / 12	6 / 12	6 / 12	6 / 12	6 / 12	6 / 12	6 / 12		
4.2	Lowered mast height	h1 (mm)	2,010	2,010	2,075	2,150	2,010	2,010	2,075	2,150	
4.3	Free lift	h2 (mm)	160	160	165	170	160	160	165	170	
4.4	Lift height	h3 (mm)	3,000	3,000	3,000	3,000	3,000	3,000	3,000	3,000	
4.5	Extended mast height	h4 (mm)	3,990	3,990	4,100	4,100	3,990	3,990	4,100	4,100	
4.7	Overhead guard height (cabin)	h5 (mm)	2,145	2,145	2,170	2,170	2,145	2,145	2,170	2,170	
4.8	Seat height / standing height rel. to SIP	h7 (mm)	1,097	1,097	1,097	1,097	1,097	1,097	1,097	1,097	
4.12	Coupling height	h10 (mm)	307	307	326	326	307	307	326	326	
4.19	Overall length	l1 (mm)	3,660	3,660	3,775	3,860	3,660	3,660	3,775	3,860	
4.20	Length to face of forks	l2 (mm)	2,590	2,590	2,705	2,790	2,590	2,590	2,705	2,790	
4.21	Overall width	Single	b1 (mm)	1,150	1,150	1,210	1,210	1,150	1,150	1,210	1,210
		Double	b1 (mm)	-	-	-	-	-	-	-	-
4.22	Fork dimensions(hook type)	l / e / s (mm)	1,070x122x40	1,070x122x40	1,070x125x45	1,070x130x50	1,070x122x40	1,070x122x40	1,070x125x45	1,070x130x50	
4.23	Fork carriage ISO 2328, class / type A,B		2A	2A	3A	3A	2A	2A	3A	3A	
4.24	Fork-carriage width	b3 (mm)	250/1,040	250/1,040	250/1,100	250/1,100	250/1,040	250/1,040	250/1,100	260/1,100	
4.31	Ground clearance, loaded, under mast	m1(mm)	125	125	140	140	125	125	140	140	
4.32	Ground clearance, centre of wheelbase	m2(mm)	147	147	207	207	147	147	207	207	
4.33	Aisle width for pallets 1,000x1,200 crossways (LxW)	Ast(mm)	3,890	3,955	4,115	4,155	3,885	3,955	4,115	4,155	
4.34	Aisle width for pallets 800x1,200 lengthways (WxL)	Ast(mm)	4,085	4,155	4,315	4,355	4,085	4,155	4,315	4,355	
4.35	Turning radius	Wa(mm)	2,330	2,330	2,450	2,510	2,330	2,330	2,450	2,510	
4.36	Smallest pivot point distance	b13 (mm)	755	755	830	830	755	755	830	830	
Performance Data											
5.1	Travel speed, loaded/unloaded	km/h	/20	/20	/19	/18	/20	/20	/19	/18	
5.2	Lift speed, loaded/ unloaded	mm/s	530/550	530/550	425/440	335/350	530/550	530/550	425/440	335/350	
5.3	Lowering speed, loaded/unloaded	mm/s	420/380	420/380	400/380	400/380	420/380	420/380	400/380	400/380	
5.6	MAX. Drawbar pull, loaded/unloaded	KN	17/15	17/15	19/17	19/17	17/15	17/15	17/15	17/15	
5.8	MAX. Gradeability, loaded/ unloaded	%	20/	20/	20/	18/	20/	20/	20/	18/	
5.10	Service brake		Hydraulic	Hydraulic	Hydraulic	Hydraulic	Hydraulic	Hydraulic	Hydraulic	Hydraulic	
Engine											
7.1	Engine manufacturer / type		mitsubishi/s45-455	mitsubishi/s45-455	mitsubishi/s45-455	mitsubishi/s45-455	Nissan K25	Nissan K25	Nissan K25	Nissan K25	
7.2	Engine power acc. to ISO 1585	kW/rpm	35.3/2,250	35.3/2,250	35.3/2,250	35.3/2,250	37.4/2,300	37.4/2,300	37.4/2,300	37.4/2,300	
7.3	Maximum Torque	kgf.m/rpm	17.3	17.3	17.0±8	17.0±8	17.1.2	17.1.2	17.1.2	17.1.2	
7.4	No. of cylinder / cubic capacity	EA/cc	4/3.331	4/3.331	4/3.331	4/3.331	4/2.488	4/2.488	4/2.488	4/2.488	
Other Details											
8.1	Type of drive control		PowerShift	PowerShift	PowerShift	PowerShift	PowerShift	PowerShift	PowerShift	PowerShift	
8.2	Operating pressure, system / attach	Mpa	17.5	17.5	17.5	17.5	17.5	17.5	17.5	17.5	
8.3	Oil volume (hydraulic)	ℓ	70	70	70	70	70	70	70	70	
8.4	Sound pressure level (at driver's ear according to DIN 12053)	dB(A)	88.7	88.2	88.5	88.3	81.1	81.3	79.6	79.7	
8.5	Trailer coupling, type DIN		PIN	PIN	PIN	PIN	PIN	PIN	PIN	PIN	